

HyShed Pushbutton Enclosures



INDUSTRY STANDARDS

Mounting brackets required to meet UL/cUL external mounting requirement

Hoffman Industrial Control Enclosures / Models HSDS##SS and HSDH##SS / HyShed Screw Cover and Hinged Cover holds a 3-A SSI Replacement Parts and System Component Qualification Certificate and conforms to applicable provisions of 3-A Sanitary Standard for General Requirements, ANSI/3-A 00-01-2018

UL 508A Listed; Type 4, 4X, 12; File Number E61997
cUL Listed per CSA C22.2 No 94; Type 4, 4X, 12;
File Number E61997

UL and cUL Classified to IEC 60529, IP66, IP69; File Number E503705

NSF 169 Special Purpose Food Equipment and Devices 3-A SSI Replacement Parts and System Component Qualification Certificate
NEMA/EEMAC Type 4, 4X, 12
DIN 40050-9, IP69K
IEC 60529, IP66, IP69

APPLICATION

Engineered specially to withstand high pressure, high temperature sanitary washdown cleaning procedures, particularly in Food & Beverage applications that have direct and indirect food contact. The HyShed Screw Cover enclosures feature a 10-degree sloped top to prevent fluids or particulates from pooling and maximize back panel space, an easily replaceable FDA-grade silicone gasket that helps resist bacteria growth and chemical absorption while simplifying maintenance, and a streamlined hygienic design that helps wipe out bacteria harboring catchpoints.

SPECIFICATION

- Manufactured from 14 gauge Type 304 stainless steel
- 10-degree sloped top facilitates runoff of water and cleaning solutions; prevents fluids or particulates from pooling, maximizes back panel space
- Door edges are sloped to facilitate runoff
- Replaceable FDA-grade silicone gasket compliant with FDA Guideline 21 CFR 177.2600
- Gasket is sanitary Pantone 287 blue color for easy detection by common food scanning equipment and vision systems
- Screw FDA-grade silicone o-ring gasket maintains strong seal; includes captivation mechanism to keep screws in place and prevent over-torquing
- Stainless steel crevice-free screw surfaces to reduce bacteria harboring catch points; uses standard tool to open
- Solid back with no pre-tapped mounting holes for easy weld mounting; optional IP69K sanitary stand-off kit available
- Seams continuously welded and ground smooth
- Bonding provision on door and body
- Furnished hardware kit consists of panel mounting kit and grounding kit

FINISH

#4 Dairy finish better protects against corrosion, moisture entry, and collection of particulates.

ACCESSORIES

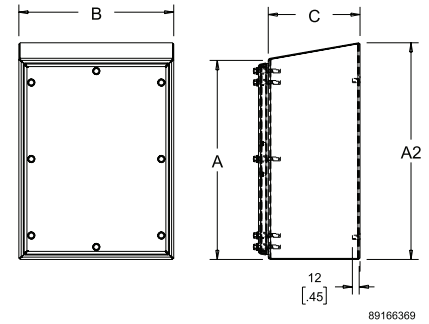
- Panels for Type 3R, 4, 4X, 12 and 13 Enclosures
- IP69K Stand-Off Kit
- Replacement FDA-Grade Silicone Gasket
- Replacement Doors

HYSHED SANITARY WASHDOWN WALL-MOUNT ENCLOSURES WITH PRE-DRILLED HOLES

Hoffman HyShed Enclosure with 30.5mm Holes

HyShed pushbutton enclosure will only be rated IP69/69K as long as pushbuttons and other devices installed into pushbutton enclosure are rated IP69/69K

Catalog #	AxBxC in./mm	Hole Qty. & Diameter	Panel	Conductive Panel	Stainless Steel Panel	A2 in./mm	Screw Cover Qty.	Replacement Gasket
HSPB1	7.13 x 4.13 x 4.00 181 x 105 x 102	1 Hole 30.5mm	A6P4	A6P4G	A6P4SS	7.83 199	4	HSDS0704GSK
HSPB2	9.13 x 6.13 x 4.00 232 x 156 x 102	2 Holes 30.5mm	A8P6	A8P6G	A8P6SS	9.83 250	4	HSDS0906GSK
HSPB3	11.16 x 8.13 x 4.00 283 x 207 x 102	3 Holes 30.5mm	A10P8	A10P8G	A10P8SS	11.83 300	6	HSDS1108GSK
HSPB4	13.13 x 10.13 x 6.00 334 x 257 x 152	4 Holes 30.5mm	A12P10	A12P10G	A12P10SS	14.18 360	8	HSDS1310GSK
HSPB5	15.13 x 12.13 x 8.00 384 x 308 x 203	5 Holes 30.5mm	A14P12	A14P12G	A14P12SS	16.54 420	8	HSDS1512GSK
HSPB6	15.13 x 12.13 x 8.00 384 x 308 x 203	6 Holes 30.5mm	A14P12	A14P12G	A14P12SS	16.54 420	8	HSDS1512GSK



Hoffman HyShed Enclosure with 22.5mm Holes

HyShed pushbutton enclosure will only be rated IP69/69K as long as pushbuttons and other devices installed into pushbutton enclosure are rated IP69/69K

Catalog #	AxBxC in./mm	Hole Qty. & Diameter	Panel	Conductive Panel	Stainless Steel Panel	A2 in./mm	Screw Cover Qty.	Replacement Gasket
HSPB1G	7.13 x 4.13 x 4.00 181 x 105 x 102	1 Hole 22.5mm	A6P4	A6P4G	A6P4SS	7.83 199	4	HSDS0704GSK
HSPB2G	9.13 x 6.13 x 4.00 232 x 156 x 102	2 Holes 22.5mm	A8P6	A8P6G	A8P6SS	9.83 250	4	HSDS0906GSK
HSPB3G	11.16 x 8.13 x 4.00 283 x 207 x 102	3 Holes 22.5mm	A10P8	A10P8G	A10P8SS	11.83 300	6	HSDS1108GSK
HSPB4G	13.13 x 10.13 x 6.00 334 x 257 x 152	4 Holes 22.5mm	A12P10	A12P10G	A12P10SS	14.18 360	8	HSDS1310GSK
HSPB5G	15.13 x 12.13 x 8.00 384 x 308 x 203	5 Holes 22.5mm	A14P12	A14P12G	A14P12SS	16.54 420	8	HSDS1512GSK
HSPB6G	15.13 x 12.13 x 8.00 384 x 308 x 203	6 Holes 22.5mm	A14P12	A14P12G	A14P12SS	16.54 420	8	HSDS1512GSK

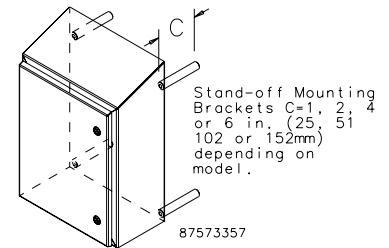
IP69K STAND-OFF KIT



BULLETIN: HSY

Standard Product

Catalog Number	C in./mm
HSSOK2SS	2.00 51
HSSOK4SS	4.00 102



REPLACEMENT FDA-GRADE SILICONE GASKET FOR SCREW COVER ENCLOSURES



Catalog Number	Fits Enclosure A x B in./mm
HSDS0704GSK	7 x 4 178 x 102
HSDS0906GSK	9 x 6 229 x 152
HSDS1108GSK	11 x 8 279 x 203
HSDS1310GSK	13 x 10 330 x 254
HSDS1512GSK	15 x 12 381 x 305

HyShed pushbutton enclosure will only be rated IP69/69K as long as pushbuttons and other devices installed into pushbutton enclosure are rated IP69/69K

